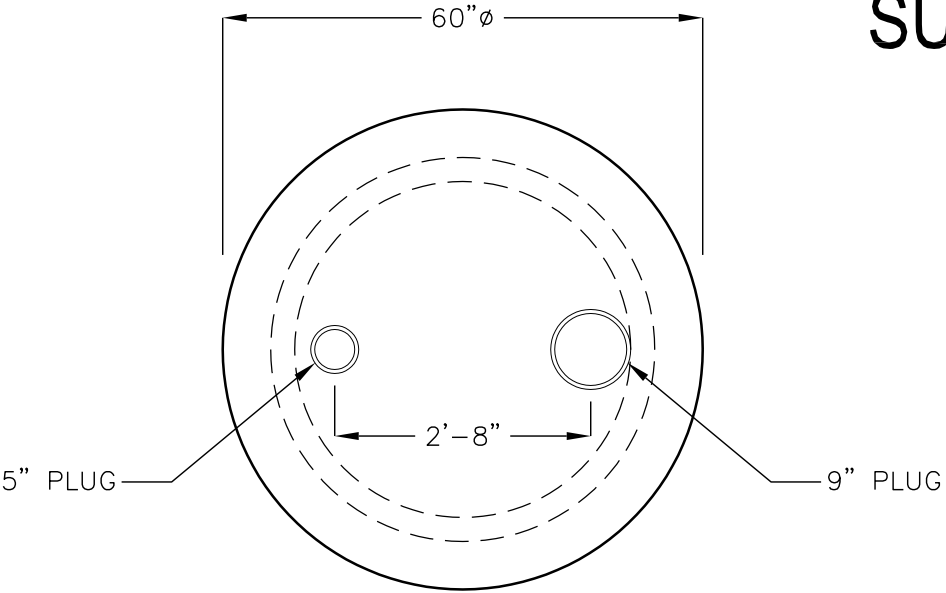
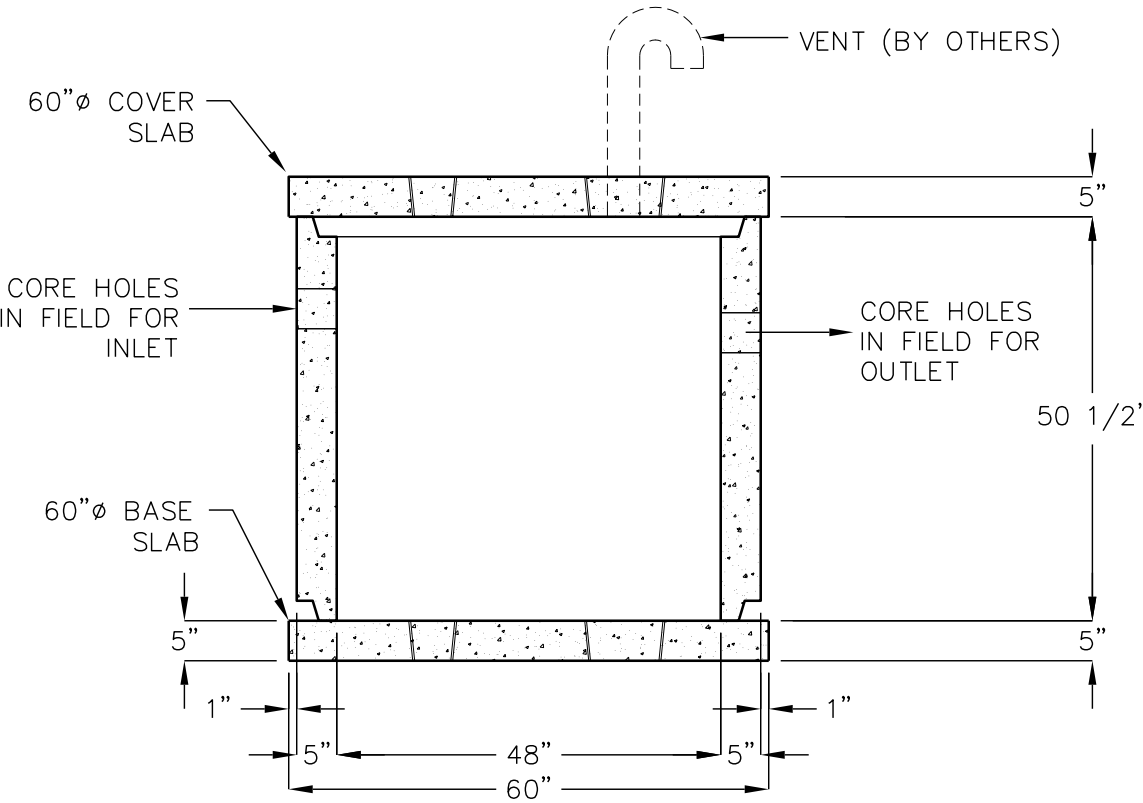


# CONCRETE SURGE TANK



**TOP & BASE SLAB VIEW**



**SECTION VIEW**

FOR COMPLETE DESIGN AND PRODUCT INFORMATION, CONTACT JENSEN PRECAST.

**NOTE: SEALING OF JOINTS WILL BE THE RESPONSIBILITY OF OTHERS**