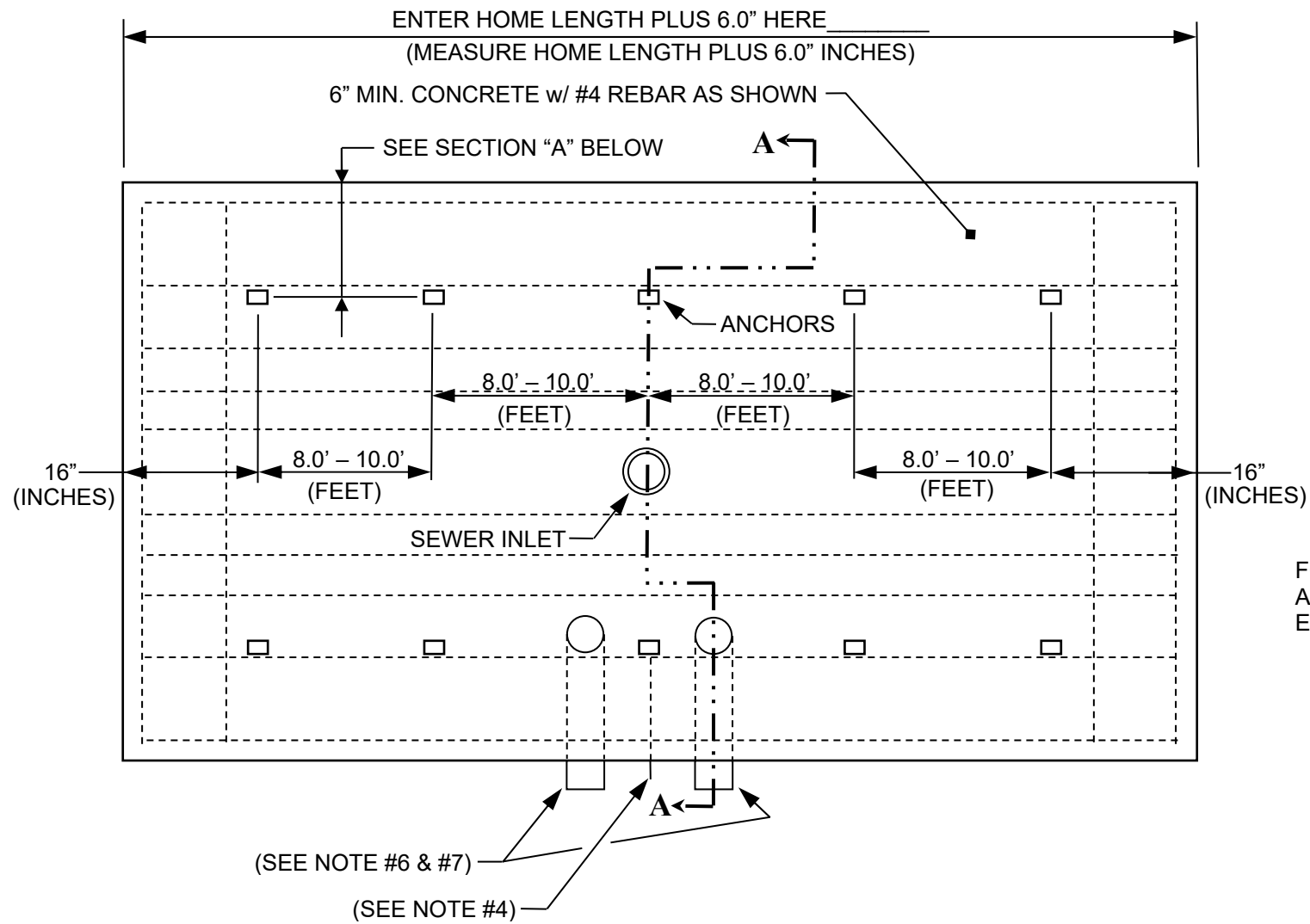
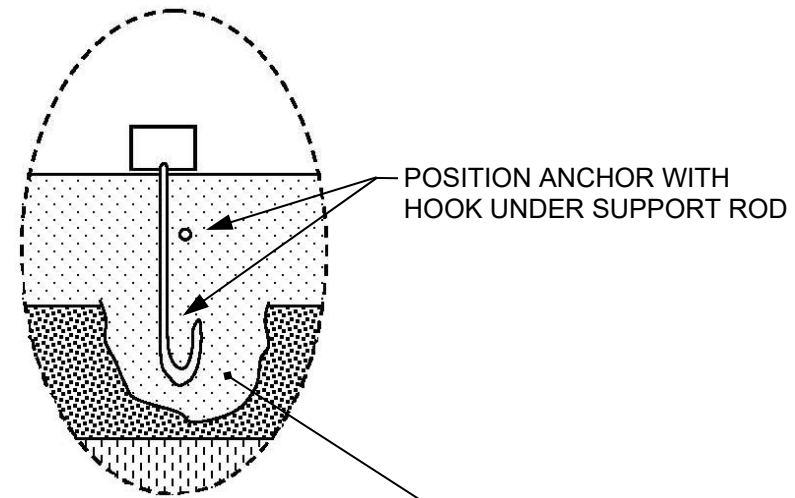


NOTES

1. CONCRETE TO HAVE A COMPRESSIVE STRESS AT 3000 PSI IN 28 DAYS AND WORK IS TO CONFORM TO THE LATEST CRSI AND PCA SPECIFICATIONS
2. ALL REINFORCING STEEL TO BE GRADE 40 PER ASTM SPECIFICATIONS
3. ALL REBAR MUST OVERLAP A MINIMUM OF 12", HAVE 3" MIN CLEAR COVER FROM BOTTOM OF SLAB AND 1 1/2" MIN CLEAR COVER FROM TOP OF SLAB
4. INSTALL #4 GROUND ROD WITHIN ONE (1) FOOT OF ELECTRICAL PEDISTAL TIED INTO FOUNDATION RODS. LEAVE 6.0" MIN. PROTRUDING FROM FOUNDATION.
5. ANY FILL MATERIAL UNDER BEARING LOCATIONS TO BE COMPACTED TO 95% STANDARD PROCTOR.
6. INSTALL 3.0" - 5.0" WATER SWEEP LINE NEXT TO WATER RISER BOXES.
7. INSTALL 3.0" - 5.0" ELECTRICAL SWEEP LINE NEXT TO ELECTRICAL PEDISTAL.

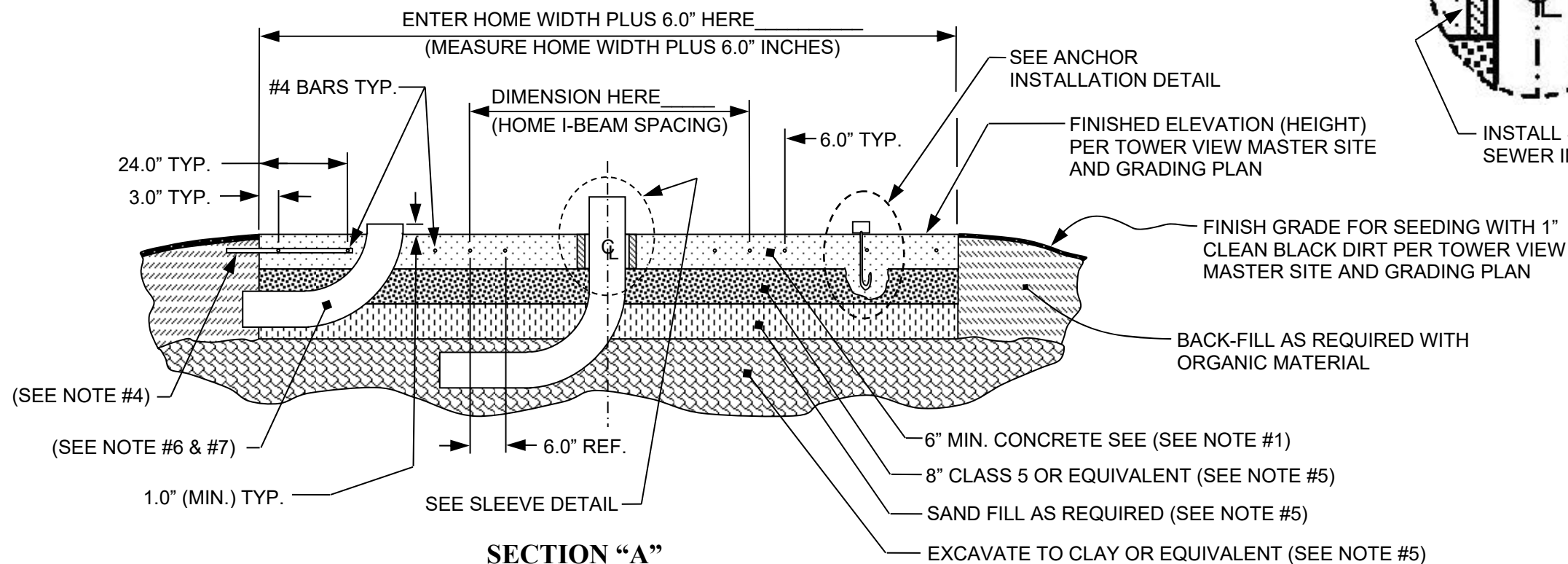
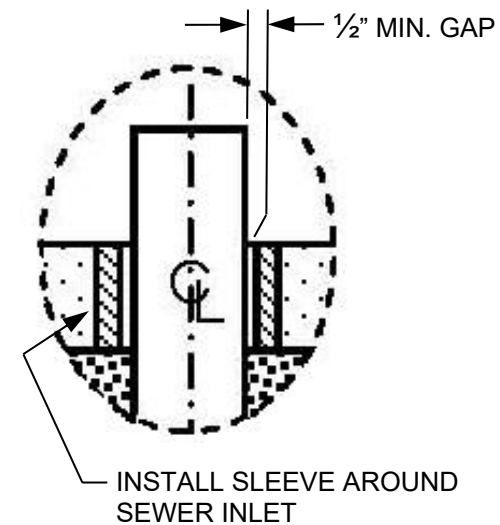


ANCHOR INSTALLATION DETAIL



FORM POCKET IN SUB-GRADE AT EACH ANCHOR LOCATION FOR CONCRETE TO ENCAPSULATE ANCHOR

SLEEVE DETAIL



SECTION "A"

DESCRIPTION: ENGINEERED SLAB		REV. 2
SCALE: NOT TO SCALE		DRAWING: B
DRAWN BY:		DATE 09/12/10